

名称	使用说明书
首次使用型号	BC-92A/HC1(H1)
材料	80g双胶纸黑白印刷
页面规格	A5大小
备注	

## 技术要求

1. 印刷颜色应均匀，且无毛边；
2. 图案和文字清晰，规范；
3. 未注明公差按GB/T 1804-m；
4. 制品应符合Q/HKB J 16001《零、部件及原材料中有害化学物质含量规定》要求。

	设计	郭晴晴	审核	顾磊磊	版本号	
	批准	白莉	日期	2017-03-28	图号/物料号	B08294297/4065582

# Hisense

life reimagined

## USER'S OPERATION MANUAL

Before operating this unit, please read this manual thoroughly, and retain for future reference

RR33D6ALX

English

## Contents

Brief introduction -----	2	Helpful hints and tips -----	9
Important safety instructions -----	2	Cleaning and care -----	10
First use and Installation -----	5	Reversing the door-----	11
Description of the appliance -----	7	Troubleshooting -----	12
Operation -----	7	Disposal of the appliance -----	13

## Brief introduction

Thank you for choosing our products. We are sure you will find your new appliance a pleasure to use. Before you use the appliance, we recommend that you read through these instructions carefully, which provides details about its usage and functions.

- Please ensure that all people using this appliance are familiar with its operations and safety features. It is important that you install the appliance correctly and pay attention to the safety instructions carefully.

- We recommend that you keep this users manual with the appliance for future reference and retain it to any future users.

- If you feel that the appliance is not operating correctly, please check the Trouble shooting page for assistance. If still in doubt contact the customer service help line for assistance or to arrange a call out by an authorized service engineer.

## Important safety instructions

### General safety and daily use



It is important to use your appliance safely. we recommend that you follow the guidelines below.

- Store any food in accordance with the storage instructions from the manufacturer.
- Don't try to repair the appliance yourself. It is dangerous to alter the specifications or modify this product in any way. Any damage to the cord may cause short circuit, fire or electric shock.
- Don't place hot items near the plastic components of this appliance.

- Frozen food must not be refrozen once it has been thawed out.

- Don't store bottled or canned drinks (especially carbonated drinks) in the Ice making compartment. Bottles and cans may explode.

- To avoid items falling and causing injury or damage to the appliance, do not overload the door racks or put too much food on the shelves.

**WARNING**-Do not use mechanical devices or other means to accelerate the defrosting process, other than those recommended by the manufacturer.

**WARNING**-Do not damage the refrigerant circuit.

**WARNING**-If the power cord is damaged, it must be replaced by the manufacturer, its service agent or similarly qualified persons in order to avoid a hazard.

**WARNING**-Keep ventilation openings in the appliance enclosure, or in the built-in structure, clear of obstruction.

**WARNING**-When disposing of the appliance, do so only at an authorized waste disposal center. Do not expose to flame.

**WARNING**-Do not store explosive or substances such as aerosol cans with a flammable propellant in this appliance.

### Safety for children and infirm persons



This appliance is not intended for use by persons (including children) with reduced physical, sensory or mental capabilities, or a lack of experience and knowledge, unless they have been given supervision or instruction concerning the use of the appliance by a person responsible for their safety. Children should be supervised to ensure that they do not play with the appliance.

- Keep all packaging away from children to avoid risk of suffocation.
- Protect children from being scalded by touching the very hot compressor at the rear bottom of appliance.
- Don't place items on top of the appliance as this could cause injury should they fall off.
- Never allow children to play with the appliance by hanging or standing over or on the door, racks, and shelves etc.

**WARNING**-Take off the doors. Leave all the shelves in place so that children may not easily climb inside.

### Safety about electricity



To avoid the risks that are always present when using an electric

appliance, we recommend that you pay more attention to the instructions about electricity below.

- Unpack the appliance and check through the appliance. Should any damage be evident, don't plug in the appliance, but contact the shop immediately from which you purchased it. Keep all packing materials in this case.
- We recommend that you wait for 4 hours with the unit upright, before connecting the appliance to allow the refrigerant to flow back into the compressor.
- The appliance must be supplied with single phase alternating current of 115Vca/60Hz.
- The main plug must be accessible when the appliance is installed.
- This appliance must be grounded, do not use ungrounded (two prong) adapters.
  - This appliance is fitted with a ground plug in accordance with local standards. The ground plug should be suitable for use in all houses fitted with sockets in accordance with current specifications. If the outlet isn't suitable for the grounded plug, do not cut off the ground prong. Instead, please contact a qualified, registered electrician to install the correct outlet.
- Do not use extension cords or multiple sockets which could cause overloading of wiring circuits and could cause a fire, Always plug your appliance into its own individual electrical socket which has a voltage rating that matches the rating plate.
- Make sure that the plug is not squashed or damaged. Damage may cause short circuit, electric shock or overheat and even cause a fire.
- Do not insert the main plug and use the appliance if the socket is broken. There is a risk of electric shock or fire.
- Switch off the appliance and disconnect it from the main power before you clean or move it.

---

- Never unplug the appliance by pulling on the electrical cord. Always grip the plug firmly and pull straight out from the socket to prevent damaging the power cord.

- Any electrical component must be replaced or repaired by a qualified electrician or authorized service engineer.

Only genuine spare parts should be used.

**WARNING**-Do not use electrical appliances inside the food storage compartments of the appliance, unless they are of the type recommended by the manufacturer.

### The refrigerant and risk of fire



The appliance contains a small quantity of refrigerant (R600a) in the refrigerant circuit.

Check the compressor label on the rear of the appliance to see which refrigerant is used for your appliance.

- If the appliance contains iso-butane (R600a) refrigerant, which is environmentally friendly but flammable, ensure that tubing of the refrigerant circuit is not damaged during transportation and installation to avoid risk of fire caused by leaking refrigerant.

- Keep burning candles, lamps and other items with naked flames and sources of ignition away from the appliance and



ventilate the room thoroughly to avoid the risk of fire and eye injury should any leakage of refrigerant (R600a) exist.

- Do not store products which contain flammable propellants (e.g. spray cans or explosive substances) in the appliance.

## First use and Installation

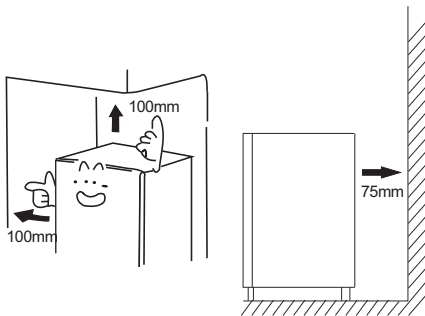
### Cleaning before use

- Before using the appliance for the first time, wash the interior and all internal accessories with lukewarm water and some neutral soap so as to remove the typical smell of a brand new product, then dry thoroughly.

**Important!** Do not use detergents or abrasive powders, as these will damage the finish.

**Important!** It is necessary to have good ventilation around the refrigerator to allow for the dissipation of heat, high efficiency, and low power consumption. For this reason, sufficiently cleared space should be available around the refrigerator. It is advisable for there to be 75mm separating the back of the refrigerator to the wall at least 100mm of space on its two sides, a height of over 100mm from its top and a clear space in front to allow the doors to open 180°.

Appliances must not be exposed to rain. Sufficient air must be allowed to circulate in the low rear section of the appliance, as poor air circulation can affect performance. Built-in appliances should be positioned away from heat sources such as heaters and direct sunlight.



### Installation Positioning



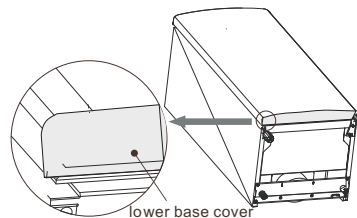
**Warning!** Before installing, read the instruction carefully for your safety and correct operation of the appliance.

- This appliance performs well within the Ambient temperature from 55 deg F / 12.8°C to 110 deg F / 43.3°C. It may not work properly if being left at a temperature above or below the indicated range for a long period.
- Stand your appliance in a dry place to avoid high moisture.
- Keep the appliance out of direct sunlight rain or frost. Stand the appliance away from heat sources such as stoves, fires or heaters.

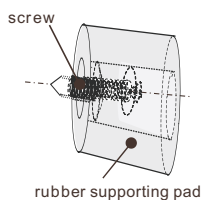
### Installing the rubber supporting pad

- If there is a rubber supporting pad and a screw provided in a plastic bag with your appliance, you can install these accessories according to the following procedure.
- **Note:** There is no need to install these accessories under normal usage. Only under the extreme circumstances, cabinet empty while load on door with total mass of 10 kg and opening the door about 90 degree, this refrigerator may take risk of tipping. Then rubber supporting pad should be fastened to the lower base cover to steady this appliance.

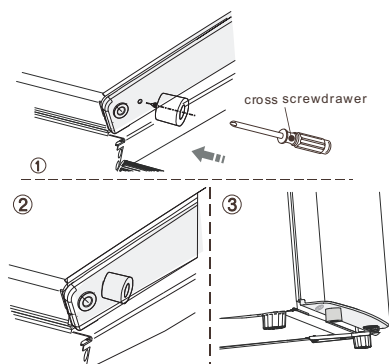
1. Tilt appliance to find screw hole on the left of lower base cover.



2. Put screw into the hole of rubber supporting pad.



3. Make screw in alignment with the hole on lower base cover. Fasten rubber supporting pad to the base cover firmly by a cross screwdriver (self-provided).



## Leveling

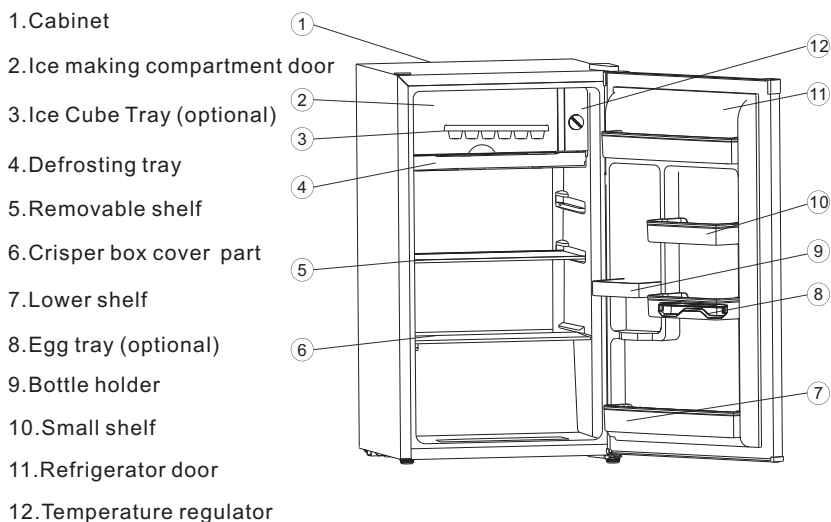
- The appliance should be level in order to eliminate vibration. To make the appliance level, it should be upright and both adjusters should be firmly contacted with the floor. You can also adjust the level by screwing out the appropriate level adjuster at the front (use your fingers or a suitable spanner).

## Electrical connection

**Caution!** Any electrical work required to install this appliance should be carried out by a qualified or competent person.

**Warning!** This appliance must be earthed. The manufacturer declines any liability should these safety measures not be observed.

## Description of the appliance



**Note:** Due to continual modification of our products, your refrigerator may be slightly different from this instruction Manual, but its functions and usage methods remain the same.

## Operation

### Starting up and temperature regulation

Insert the plug of the connection lead into the plug socket with protective earth contact. The temperature selector knob is located on the side of the Ice making compartment.

### Setting "0" means

Turning the temperature control to "0" position stops the cooling cycle, but does not shut off the power to the refrigerator.

Turning clockwise in direction Refrigerating unit on, the latter then operating automatically. If the unit is unplugged, power lost, or turned off, you must wait 3 to 5 minutes before restarting the unit. If you attempt to restart before this time delay, the refrigerator will not start.

### Setting "8"(end-stop) means:

Lowest temperature, coldest setting.

### Important!

Normally we advise you select setting of 3 or 4, if you want the temperature warmer or colder please turn the knob to lower or higher setting accordingly.

When you turn the knob to lower which can lead to the more energy efficiency. Otherwise, it would result the energy-consuming.

### Important!

High ambient temperatures (e.g. on hot summer days) and a colder setting (position 6 to 8) on the temperature regulator can cause the compressor to run continuously or even non-stop!

Reason: when the ambient temperature is high, the compressor must run continuously to maintain the low temperature in the appliance.

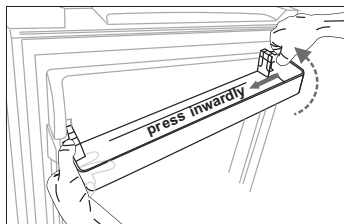




### Remove and install the door shelf

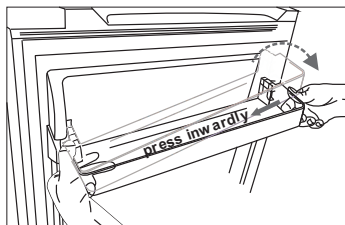
Warning: The door shelf must not be removed and installed by the user! If the door shelf is damaged, contact the customer helpline for assistance. To replace the door shelf, the following steps can be followed:

Remove the door shelf



Press the right side of the door shelf inwardly, while holding the left side. When the notch of the shelf has been detached from the refrigerator door, remove the rack obliquely upwardly.

Install the door shelf



Firstly tilt the left side of the door shelf, and make sure the notch has been fastened to the door. Then press the right side inwardly, push it down to the right place.

### Using your appliance

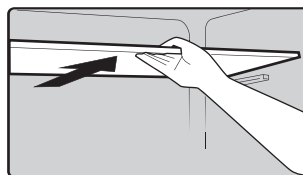
Your appliance has the accessories as the "Description of the appliance" showed in general, with this instruction you can have the right way to use them.

#### Door shelf

- It is suitable for the storage of egg, canned liquid, bottled drinks and packed food, etc. Do not place too many heavy things in the shelf.

#### Shelf in Refrigerator chamber

- There are shelves in refrigerator chamber, and they can be taken out to be cleaned.



#### Ice making compartment

- This is a low temperature compartment intended specifically for the freezing and storage of ice. It could make 250g ice within 24 hours.

## Helpful hints and tips

### Energy saving tips

We recommend that you follow the tips below to save energy.

- Try to avoid keeping the door open for long periods in order to conserve energy.
- Ensure the appliance is away from any sources of heat (Direct sunlight, electric oven or cooker etc).
- Don't set the temperature colder than necessary.
- Don't store warm food or evaporating liquid in the appliance.
- Place the appliance in a well ventilated, humidity free, room. Please refer to the instructions on installing your new appliance.
- The diagram shows the correct combination for the shelves, designed to be the most energy efficient configuration.

### Hints for fresh food refrigeration

- Do not place hot food directly into the refrigerator or Ice making compartment, as the internal temperature will increase resulting in the compressor having to work harder and will consume more energy.
- Cover or wrap the food particularly if it has a strong flavor.
- Place food properly so that air can circulate freely around it.

### Hints for refrigeration

- Meat (All Types) Wrap-ped in PVDC (plastic) wrap:  
Wrap and place on the shelf. Always follow food storage times and use by dates suggested by manufacturers.
- Cooked food, cold dishes, etc.:  
Dishes should be covered and may be placed on any shelf.
- Fruit and vegetables:  
Fruit and vegetables should be wrapped and stored under the Crisper box cover part.
- Butter and cheese:  
Be wrap in airtight foil or plastic film wrap.
- Milk bottles:  
Bottles should have a lid and be stored in the door racks.

### Hints for freezing

- When first starting-up or after a period out of use, let the appliance run at least 2 hours on the higher settings before putting food in the Ice making compartment.
- Prepare food in small portions to enable it to be rapidly and completely frozen and to make it possible to subsequently thaw only the quantity required.
- Wrap up the food in aluminum foil or PVDC food wrap to be airtight.
- Do not allow fresh unfrozen food to touch the food which is already frozen.
- It is recommended to label and date each frozen package in order to keep track of the storage time.

### Hints for the storage of frozen food

- Ensure that frozen food has been stored correctly by the food retailer.
- Once defrosted, food will deteriorate rapidly and should not be re-frozen. Do not exceed the storage period indicated by the food manufacturer.

### Switching off your appliance

If the appliance needs to be switched off for an extended period, the following steps should be taken prevent mould on the appliance.

1. Remove all food.
2. Remove the power plug from the mains socket.
3. Clean and dry the interior thoroughly.
4. Ensure that all the doors are wedged open slightly to allow air to circulate.

## Cleaning and care

### Cleaning and Care

For hygienic reasons the appliance interior, including interior accessories, should be cleaned regularly.

The fridge should be cleaned and maintained at least every two months.



**Warning!** Danger of electrical shock!

- The appliance should not be connected to the mains during cleaning. Before cleaning switch the appliance off and remove the plug from the mains, or switch off or turn out the circuit breaker or fuse.

### Important!

- Remove the food from the appliance before cleaning. Store them in a cool place, well covered.
- Never clean the appliance with a steam cleaner. Moisture could accumulate in electrical components,
- Hot vapors can lead to the damage of plastic parts.
- Ethereal oils and organic solvents can attack plastic parts, e.g. lemon juice or the juice from orange peel, butyric acid, cleanser that contain acetic acid. Do not allow such substances to come into contact with appliance parts.
- Do not use any abrasive cleansers.
- Clean the appliance and the interior accessories with a cloth and lukewarm water. Commercially available dish washing detergents may also be used.
- After cleaning wipe with fresh water and clean dish cloth.
- After everything is dry place appliance back into service.

### Defrosting

#### Why defrosting

- Water contained in food or air getting into inside while the fridge be opening doors may form a frost layer inside. It will weaken the refrigeration when the frost is thick. While it is more than 10mm thick, you should defrost.

#### Defrosting in ice making compartment

- Defrosting in ice making compartment is operated manually. Before defrosting, take the food out; take the ice tray out or put it into the refrigerator chamber temporarily, then set the knob of the temperature regulator to position "0" (where the compressor will stop working) and leave the door of the refrigerator open until ice and frost dissolve thoroughly and accumulation at the drip tray. Wipe off the water with soft cloth. In the case of speeding up the process of defrosting, you may put a bowl of warm water (about 50°C) into the ice making compartment, and scrape away the ice and frost with a defrosting spatula. After doing so, be sure to set the knob of the temperature regulator to the original position.

It is not advisable to heat the ice making compartment directly with hot water or hair dryer while defrosting to avoid deformation of the inner case.

It is also not advisable to scrape off ice and frost or separate food from the containers which have been congealed together with the food with sharp tools or wooden bars, so as not to damage the inner casing.

- **Warning!** You need to raise the defrosting tray before you remove it.
- **Warning!** Switching off the appliance before defrosting, turn the temperature regulator to position "0".
- **Important!** The fridge should be defrosted at least every one month. During the using process, if the door was opened frequently or using the appliance in the extreme humidity, we advise the user to defrost every two weeks.

## Reversing the door

The side at which the door opens can be changed from the right side (as supplied) to the left side, if the installation site requires.

Tools you will need:

1. 8mm socket driver.



2. Cross-shaped screwdriver.

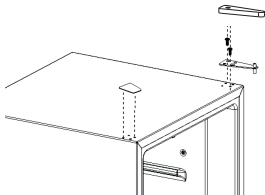


3. Putty knife or thin-blade screwdriver.

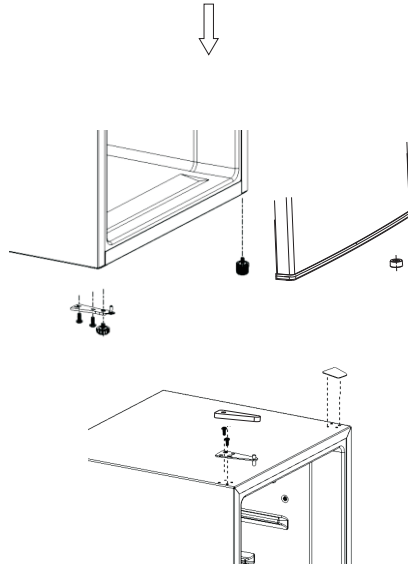
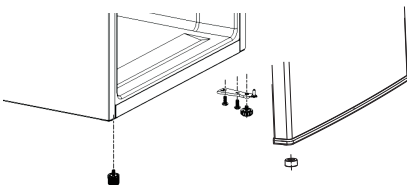


Before you start lay the refrigerator on it's back in order to gain access to the base, you should rest it on soft foam packaging or similar material to avoid damaging the cooling pipes at the rear of the refrigerator.

1. Remove the upper hinge core, transfer it to left side and tighten securely, then put it in a safe place.



2. Remove both adjustable feet, the bottom hinge bracket and the rubber supporting pad by unscrewing the bolts, then fit them on by the following pictures.



3. Replace the lid by fitting the upper hinge core into the upper door's hole, securing it with the 2 screws. Replace the screw covers.

### Warning!

When changing the side at which the door opens, the appliance must not be connected to the mains. Remove plug from the mains beforehand.

## Troubleshooting

If you experience a problem with your appliance or are concerned that the appliance is not functioning correctly, you can carry out some easy checks before calling for service, please see below. You can carry out some easy checks according to this section before calling for service.

**Warning!** Don't try to repair the appliance yourself. If the problem persists after you have made the checks mentioned below, contact a qualified electrician, authorized service engineer or the shop where you purchased the product.

Problem	Possible cause	Solution
Appliance does not work.	Appliance is not switched on.	Switch on the appliance.
	Mains plug is not plugged in or is loose.	Insert mains plug.
	Fuse has blown or is defective.	Check fuse, replace if necessary.
	Socket is defective.	Mains malfunctions are to be corrected by an electrician.
The food is too warm.	Temperature is not properly adjusted.	Please look in the "initial Start Up" section.
	Door was open for an extended period.	Open the door only as long as necessary.
	A large quantity of warm food was placed in the appliance within the last 24 hours.	Turn the temperature regulation to a colder setting temporarily.
	The appliance is near a heat source.	Please look in the "installation location" section.
Heavy build-up of frost, possibly also on the door seal.	Door seal is not air-tight (possibly after reversing the door).	Carefully warm the leaking sections of the door seal with a hair dryer (on a cool setting). At the same time shape the warmed door seal by hand such that it sits correctly.
Unusual noises.	Appliance is not level.	Readjust the feet.
	The appliance is touching the wall or other objects.	Move the appliance slightly.
	A component, e.g. a pipe, on the rear of the appliance is touching another part of the appliance or the wall.	If necessary, carefully bend the component out of the way.
The compressor does not start immediately after changing the temperature setting.	This is normal, no error has occurred.	The compressor starts after a period of time.
Water on the floor or storage shelves.	Check that the Drip tray is housed properly. Drip tray is full of water.	See the "cleaning and care" section.

## Disposal of the appliance

It is prohibited to dispose of this appliance as household waste.


### Packaging materials

Packaging materials with the recycle symbol are recyclable. Dispose of the packaging into a suitable waste collection container to recycle it.

### Before disposal of the appliance

1. Pull out the mains plug from the mains socket.
2. Cut off the power cord and discard with the mains plug.

**Warning!** Refrigerators contain refrigerant and gases in the insulation. Refrigerant and gases must be disposed of professionally as they may cause eye injuries or ignition. Ensure that tubing of the refrigerant circuit is not damaged prior to proper disposal.

	Correct Disposal of this product
	<p>This symbol on the product or in its packing indicates that this product may not be treated as household waste. Instead, it should be taken to the appropriate waste collection point for the recycling of electrical and electronic equipment. By ensuring this product is disposed of correctly, you will help prevent potential negative consequences for the environment and human health, which could otherwise be caused by the inappropriate waste handling of this product. For more detailed information about the recycling of this product, please contact your local council your household waste disposal service, or the shop where you purchased the product.</p>

# Hisense

life reimagined

## MANUAL DE INSTRUCCIONES

Antes de poner en marcha la unidad, lea atentamente el manual y consérvelo para referencia futura.

RR33D6ALX

Español

## Tabla de Contenido

Introducción General.....2	Sugerencias y consejos de ayuda.....9
Instrucciones importantes de seguridad... 2	Limpieza y cuidado.....10
Primer uso e instalación.....5	Inversión de la puerta.....11
Descripción del electrodoméstico.....7	Solución de problemas.....12
Funcionamiento.....7	Eliminación del electrodoméstico.....13

## Introducción General

Gracias por seleccionar nuestros productos. Estamos seguros de que usted encontrará su nuevo aparato como un placer de usar. Antes de utilizar el aparato, recomendamos que lea detenidamente estas instrucciones, que proporcionan los detalles sobre su uso y funciones.

- Por favor asegúrese de que todas las personas que utilizan este aparato estén familiarizadas con sus operaciones y funciones de seguridad. Es importante que instale el aparato correctamente y preste atención a las instrucciones de seguridad cuidadosamente.

- Recomendamos que preserve este manual de usuario con el aparato para la referencia futura y consérvelo para los usuarios futuros.

- Si siente que el electrodoméstico no está funcionando adecuadamente, por favor vea la página de Resolución de problemas para obtener ayuda. Si aún tiene dudas, póngase en contacto con la línea de ayuda de atención al cliente para obtener asistencia o para programar una visita a domicilio de un ingeniero de servicio autorizado.

## Instrucciones importantes de seguridad

### Seguridad General y Uso Diario



Es importante utilizar su aparato de manera segura.

Recomendamos que siga los consejos siguientes

- Preserve los alimentos de acuerdo con las instrucciones de almacenamiento desde el fabricante.
- No trate de hacer usted mismo la reparación del electrodoméstico. Es peligroso alterar las especificaciones o modificar este electrodoméstico de alguna manera. Cualquier daño al cable

puede causar cortocircuitos, incendios o descargas eléctricas.

- No coloque las cosas calientes cerca de los componentes de plástico de este aparato
- Los alimentos congelados no deberán ser re-congelados después de su descongelación.
- No almacene las bebidas embotelladas o enlatadas (especialmente las bebidas carbonatadas) en el compartimiento del



congelador. Las botellas y latas pueden explotar.

● Para evitar la caída de objetos y causar lesiones o daños al aparato, no sobrecargue los estantes de la puerta ni coloque demasiados alimentos en los estantes.

**ADVERTENCIA-** No utilice dispositivos mecánicos u otros medios para acelerar el proceso de descongelación a menos que estén aprobados por el fabricante.

**ADVERTENCIA-** No dañe el circuito refrigerante.

**ADVERTENCIA-** Si el cable de alimentación está dañado, lo debe reemplazar el fabricante, el agente de servicio o una persona similar calificada para evitar peligros.

**ADVERTENCIA-** Mantenga las aberturas de ventilación en el gabinete del electrodoméstico, o en la estructura integrada, libre de obstrucciones.

**ADVERTENCIA-** Cuando se deshaga del electrodoméstico, hágalo sólo en el centro de desperdicios autorizado. No lo exponga al fuego.

**ADVERTENCIA-** No almacene explosivos o sustancias como latas de aerosol con carburante inflamable en el electrodoméstico.

### **Seguridad para niños y las personas débiles**



Este aparato no está diseñado para ser utilizado por las personas

(incluyendo los niños) con discapacidades físicas, sensoriales o mentales, o la falta de experiencia y conocimiento, a menos que sea supervisadas o instruidas acerca del uso del aparato por una persona

responsable de su seguridad. Los niños deberán ser supervisados para asegurar que no jueguen con el aparato.

● Mantenga todos los envases apartados de los niños para evitar el riesgo de asfixia.

● Proteja a los niños contra la quemadura mediante el toque del compresor muy caliente en el fondo trasero de la espalda.

● No coloque los objetos en la parte superior del aparato ya que eso puede causar lesión personal si se caen.

● Nunca permita que los niños jueguen con el aparato suspendiéndose o manteniéndose de pie sobre o en las puertas, estantes, bastidores o estantes, etc.

**ADVERTENCIA-** Quite las puertas. Deje todos los estantes en el lugar para que los niños no trepen fácilmente.

### **Seguridad Eléctrica**



Para evitar los riesgos que están siempre presentes cuando utiliza un aparato

eléctrico, recomendamos que preste más atención a las instrucciones sobre electricidad a continuación.

● Desembale el aparato y verifíquelo completamente. Si existen algunos daños evidentes, no enchufe el aparato sino póngase en contacto inmediato con la tienda desde donde lo compró.

Preserve todos los materiales de embalaje en este caso.

● Recomendamos que espere durante 4 horas antes de conectar el aparato a la electricidad con el fin de permitir que el refrigerante regrese al compresor.

● El aparato deberá ser enchufado en la

corriente alterna monofásica de 115Vca/60HZ.

- El enchufe principal deberá ser accesible cuando el aparato está instalado.
- El electrodoméstico debe estar a tierra, no utilice adaptadores subterráneos (dos patas).
- Este electrodoméstico está equipado con un enchufe a tierra según los estándares locales. El enchufe a tierra debería ser adecuado para utilizarse en todas las casas equipadas con toma corrientes según las especificaciones vigentes. Si la salida no es adecuada para enchufes a tierra, NO corte la conexión a tierra. En su lugar, contacte a un electricista calificado y matriculado para instalar la salida correcta. No utilice extensiones de cables o enchufes múltiples que podrían causar una sobrecarga en los circuitos del cableado y podrían causar incendios.
- Siempre enchufe su aparato en su propio tomacorriente eléctrico individual que tiene un nivel de voltaje que coincide con la placa de identificaciones.
- Asegúrese de que el enchufe no esté roto o dañado; puede sobrecalentar, causar un cortocircuito, descarga eléctrica incluso un incendio.
- No inserte el enchufe de conexión a la red ni use el aparato si el tomacorriente está roto. Existe un riesgo de descarga eléctrica o incendio.
- Apague el aparato y desconéctelo de la fuente de alimentación antes de limpiarlo o moverlo.
- Nunca desenchufe el aparato tirando el cable de alimentación. Siempre agarre el enchufe firmemente y tírelo

rectamente desde el tomacorriente para evitar dañar el cable de alimentación.

- Todos los componentes eléctricos deberán ser reemplazados o reparados por un electricista cualificado o un ingeniero de servicio autorizado. Sólo se deberá utilizar los repuestos genuinos.

**ADVERTENCIA** -No utilice electrodomésticos eléctricos dentro del compartimento de almacenamiento de alimentos del electrodoméstico, a menos que estén aprobados por el fabricante.

#### **El refrigerante y riesgos de incendio**



El electrodoméstico contiene una cantidad pequeña de refrigerante (R600a) en el

circuito del refrigerante. Verifique la etiqueta del compresor detrás del electrodoméstico para ver el refrigerante que utiliza el electrodoméstico.

- Si el electrodoméstico contiene refrigerante isobutano (R600a), que es ecológico pero inflamable, asegure que la tubería del circuito del refrigerante no se dañe durante la transportación e instalación para evitar riesgos de incendios ocasionados por la fuga de refrigerante.
- Mantenga las velas encendidas, lámparas y otros artículos con llamas y fuentes de incendio lejos del electrodoméstico y ventile a fondo la habitación para evitar riesgos de incendios o daños en los ojos en caso de una fuga del refrigerante (R600a).
- No almacene productos que contengan propelentes inflamables (ej.: latas de spray o sustancias explosivas) en el electrodoméstico.

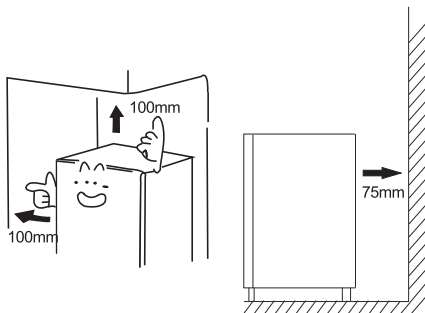
## Primer uso e instalación

### La limpieza antes del uso

● Antes de utilizar el electrodoméstico por primera vez, lave el interior y todos los accesorios internos con agua tibia y jabón neutro para quitar el típico olor a producto nuevo; luego, seque completamente.

**¡Importante!** No utilice detergentes ni polvos abrasivos ya que pueden dañar el acabado.

**¡Importante!** Es necesario tener una buena ventilación alrededor del refrigerador para permitir la disipación del calor, una alta eficiencia y bajo consumo de energía. Por esta razón, debería haber un espacio lo suficientemente libre cerca del refrigerador. Se aconseja que haya 75mm de separación de la parte trasera del refrigerador a la pared, al menos 100mm de espacio en ambos lados, una altura de 100mm desde la parte superior y un espacio libre al frente para que las puertas se puedan abrir a 180°. El electrodoméstico no debe ser expuesto a la lluvia. Se debe permitir que circule suficiente aire en la sección inferior trasera del electrodoméstico ya que la poca circulación de aire puede afectar el funcionamiento. Los electrodomésticos integrados se deben colocar lejos de fuentes de calor como calentadores y luz directa del sol.



### Posición de instalación



**¡Advertencia!** Antes de realizar la instalación y para su seguridad y funcionamiento correcto del electrodoméstico, lea cuidadosamente las instrucciones.

● Este electrodoméstico funciona bien dentro de la temperatura ambiental desde 55° F/ 12.8°C hasta 110° F/ 43.3°C.

Puede que no funcione de manera correcta si la temperatura está por encima o debajo del rango indicado durante un largo período.

- Mantenga el aparato en un lugar seco para evitar alta humedad.
- Mantenga el aparato lejos de la luz directa del sol, la lluvia o las heladas. Coloque el aparato lejos de fuentes calientes como cocinas, estufas o calentadores.

**Instalación de la almohadilla de goma**

### de apoyo

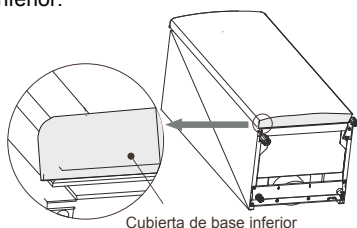
● Si en la bolsa de plástico de su electrodoméstico hay una almohadilla de goma de apoyo y un tornillo, usted puede instalar estos accesorios según el siguiente procedimiento.

#### ● Nota:

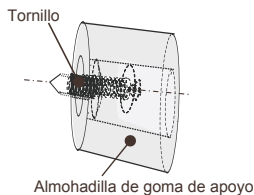
No se necesita instalar estos accesorios para el uso normal.

Sólo bajo circunstancias extremas, el refrigerador puede volcarse si el gabinete se encuentra vacío mientras que la carga en la puerta es de un total de 10 kg y la apertura de la puerta es de 90 grados. Luego se debe ajustar la almohadilla de goma de apoyo en la cubierta de la base inferior para estabilizar el electrodoméstico.

1. Incline el electrodoméstico para encontrar el orificio del tornillo sobre la parte izquierda de la cubierta de la base inferior.

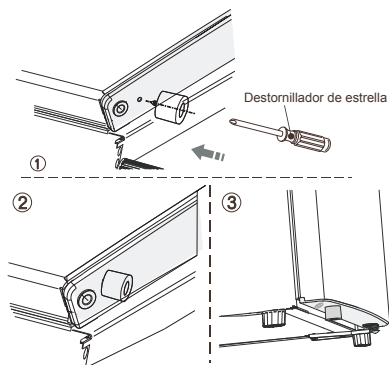


2. Coloque el tornillo en el orificio de la almohadilla de goma de apoyo.



3. Alinee el tornillo con el orificio en la

cubierta de la base inferior. Ajuste la almohadilla a la cubierta de manera firme con un destornillador de estrella (auto proporcionado).



### Nivelación

● El electrodoméstico se debe nivelar para eliminar vibraciones. Para nivelar el electrodoméstico, debería estar derecho y ambos ajustadores deberían estar firmemente en contacto con el piso. También, puede ajustar el nivel al desatornillar el ajustador delantero (puede utilizar los dedos o una llave adecuada).

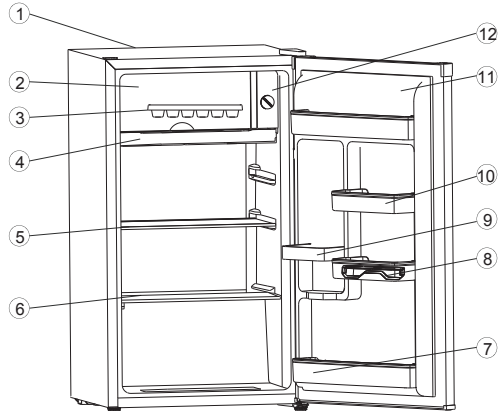
### Conexión eléctrica

**¡Precaución!** Cualquier trabajo eléctrico requerido para instalar este electrodoméstico debería ser realizado por una persona calificada o competente.

**¡Advertencia!** Este electrodoméstico debe estar conectado a tierra. El fabricante rechaza cualquier responsabilidad en caso de que no se sigan estas medidas de seguridad.

## Descripción del electrodoméstico

1. Gabinete
2. Puerta del compartimiento del congelador
3. Bandeja para cubos de hielo (opcional)
4. Bandeja de descongelación
5. Estante desmontable
6. Cobertor del cajón *Crisper*
7. Estante inferior
8. Bandeja para huevos (opcional)
9. Soporte para botellas
10. Estante chico
11. Puerta del refrigerador
12. Regulador de temperatura



**Nota:** Debido a las continuas modificaciones de nuestros productos, el refrigerador puede diferir un poco en este manual de instrucciones pero su funcionamiento y métodos de usos son los mismos.

## Funcionamiento

### Arranque y regulación de la temperatura

Inserte el enchufe del cable de conexión en el toma corrientes con protección de conexión a tierra. La perilla seleccionadora de temperatura está ubicada a un lado del compartimiento del congelador.

#### Configuración "0" significa

Llevar la temperatura de control a la posición "0" detiene el ciclo de enfriamiento pero no corta la electricidad del refrigerador.

Llevarla hacia la derecha enciende el refrigerador, luego, funciona automáticamente. Si la unidad está desenchufada, no hay energía o está

apagada, debe esperar de 3 a 5 minutos antes de reiniciar la unidad. Si intenta reiniciar antes de este tiempo, el refrigerador no encenderá.

#### Configuración "8" (posición final) significa:

Temperatura más baja, configuración más fría.

#### ¡Importante!

Normalmente, le aconsejamos que seleccione la configuración 3 ó 4. Si desea la temperatura más cálida o más fría, coloque la perilla a una configuración más baja o más alta. Cuando gira la perilla a más bajo puede producir más eficiencia energética. De lo contrario, puede causar mucho consumo

de energía.

### ¡Importante!

La temperatura ambiente alta (ej.: en días calurosos de verano) y la configuración fría (posición de 6 a 8) en el regulador de temperatura pueden causar que el compresor funcione continuamente o que ¡nunca pare!

Razón: cuando la

temperatura ambiente es

alta, el compresor debe

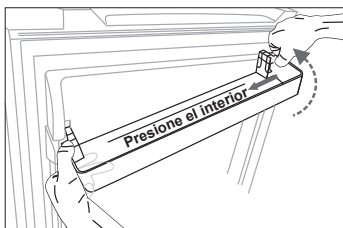
funcionar continuamente

para mantener la baja temperatura del electrodoméstico.



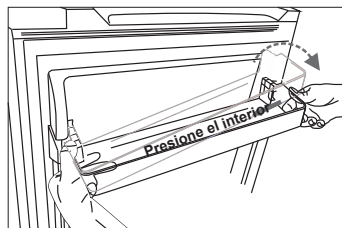
### Extracción e instalación del estante de la puerta

Advertencia: ¡El estante de la puerta no se puede extraer ni instalar por el usuario! Si se daña el estante de la puerta, contacte a la línea de ayuda al cliente para una asistencia. Para reemplazar el estante de la puerta se deben seguir los siguientes pasos: Extracción del estante de la puerta



Presione el lado derecho del estante de la puerta mientras sostiene el lado izquierdo. Cuando la ranura del estante se separa de la puerta del refrigerador, quite el estante de manera oblicua y hacia arriba.

### Instalación del estante de la puerta



Primero, incline el lado izquierdo del estante de la puerta y asegúrese de que la ranura se haya sujetada a la puerta. Luego, presione el lado derecho interno y empujelo hasta su lugar.

### Utilización del electrodoméstico

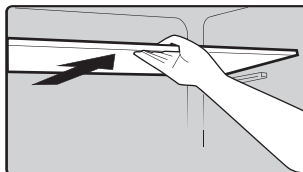
Su electrodoméstico cuenta con accesorios como los que se muestran en "Descripción del electrodoméstico". Con este instructivo puede utilizarlos de la manera correcta.

#### Estante de la puerta

- Es ideal para almacenar huevos, líquidos en lata, botellas, alimentos envasados, etc. No coloque demasiadas cosas pesadas en el estante.

#### Estante en el refrigerador

- Hay estantes en el refrigerador y se pueden sacar para poder limpiarlos.



#### Compartimiento del congelador

- Es un compartimento de baja temperatura destinada específicamente para el congelamiento y almacenamiento de hielo. Puedo hacer 250 gr de hielo en 24 horas.

## Sugerencias y consejos de ayuda

### Consejos para el ahorro de energía

Le recomendamos que siga los siguientes consejos para ahorrar la energía.

- Trate de evitar tener la puerta abierta por largos períodos para conservar la energía.
- Compruebe que el electrodoméstico esté lejos de fuentes de calor (Luz directa del sol, horno eléctrico o cocinas, etc.)
- No ajuste la temperatura a más frío de lo que sea necesario.
- No almacene comida caliente o líquidos que se evaporan en el electrodoméstico .

Coloque el electrodoméstico en un área bien ventilada y libre de humedad. Vea el capítulo de “Instalación del nuevo electrodoméstico”.

- El diagrama muestra la combinación correcta de estantes, diseñada para una configuración eficiente de energía.

### Sugerencias para la refrigeración de alimentos frescos

- No coloque comida caliente directamente en el refrigerador o en el congelador ya que la temperatura interna incrementará y el compresor tendrá que trabajar más y consumirá más energía.
- Cubra o envuelva la comida si tiene sabor fuerte.
- Coloque la comida de manera correcta para que el aire circule libremente.

### Sugerencias para la refrigeración

- Carne (de cualquier tipo) envuelta en film: envuelva y almacene la carne en el

estante. Siempre siga la fecha de los alimentos almacenados sugeridos por el fabricante.

- Alimentos cocidos, platos fríos, etc.: Se deben cubrir y colocar en cualquier estante.
- Frutas y verduras: Se deben envasar y almacenar en el cajón *crisper*
- Manteca y queso: Deberían envasarse en film plástico o papel hermético.
- Botellas de leche: Deberían tener una tapa y almacenarse en los estantes de la puerta.

### Sugerencias para congelar

- Cuando se encienda por primera vez o después de un período sin uso, deje que el electrodoméstico funcione 2 horas con los ajustes más altos antes de colocar los alimentos en el compartimiento.
- Prepare la comida en pequeñas porciones para dejar que se congele rápida y completamente y para descongelar posteriormente sólo la cantidad que se requiera.
- Envuelva la comida en papel aluminio o polietileno hermético.
- No deje que la comida fresca y sin congelar toque la comida que ya está congelada para evitar que la temperatura de este último aumente.
- Se recomienda etiquetar y colocar la fecha de cada paquete congelado para mantener un seguimiento del tiempo de almacenamiento.

### Sugerencias para almacenar la comida congelada

- Asegúrese de que los alimentos congelados sean almacenados correctamente por la cadena de alimentos.
- Una vez descongelados, los alimentos se deteriorarán rápidamente y no se deben congelar otra vez. No exceda el período de almacenamiento indicado por el fabricante de alimentos.

#### **Desconexión del electrodoméstico**

Si necesita apagar el electrodoméstico

por un largo período, se deben seguir los siguientes pasos para evitar la formación de moho en el electrodoméstico.

1. Quite todos los alimentos.
2. Retire el enchufe del toma corrientes.
3. Limpie y seque completamente el interior.
4. Asegúrese de que todas las puertas estén un poco abiertas para dejar que circule el aire.

## Limpeza y cuidado

### **Limpeza y cuidado**

Por razones higiénicas, el interior del electrodoméstico, incluidos los accesorios interiores, deberían limpiarse regularmente.

Se debe limpiar y mantener la heladera al menos cada dos meses.



**¡Advertencia!** ¡Peligro de descarga eléctrica!

- No se debería conectar el electrodoméstico a la red eléctrica mientras se realiza la limpieza. Antes de la limpieza, apague el electrodoméstico y quite el enchufe del toma corrientes, apague o corte el disyuntor o el fusible.

#### **¡Importante!**

- Quite los alimentos del electrodoméstico antes de la limpieza. Almacénelos en un lugar fresco y bien cubiertos.
- Nunca limpie el electrodoméstico con un limpiador corriente. La humedad se puede acumular en los componentes eléctricos.
- El vapor caliente puede dañar las partes plásticas.
- Los aceites etéreos y solventes orgánicos pueden atacar las partes

plásticas, por ejemplo el jugo de limón o el jugo de la cáscara de naranja, el ácido butírico, y limpiadores que contienen ácido acético. No permita que estas sustancias entren en contacto con las partes del electrodoméstico.

- No utilice ningún limpiador abrasivo.
- Limpie el electrodoméstico y los accesorios interiores con un paño y agua tibia. También se pueden utilizar los detergentes para limpiar platos que estén comercialmente disponibles.
- Después de realizar la limpieza, limpie con agua fresca y un paño limpio.

- Después de que esté todo seco, el electrodoméstico está listo para volverse a usar.

### **Descongelación**

#### **¿Por qué hay que descongelar?**

- El agua contenida en los alimentos o el aire que ingresa a la heladera mediante la apertura de las puertas puede formar una capa de hielo adentro. Si la escarcha es muy espesa puede debilitar la refrigeración. Debería descongelar si hay más de 10mm de



espesor.

### Descongelar en el compartimiento del congelador

● La descongelación en el compartimiento del congelador es operada manualmente. Antes de descongelar, saque los alimentos; saque la bandeja de hielo o póngalo en la cámara frigorífica temporalmente, luego gire la perilla del regulador de temperatura a la posición "0" (donde el compresor va a dejar de trabajar) y deje la puerta del refrigerador abierta hasta que el hielo y la escarcha se disuelvan bien y se acumulen en la bandeja de goteo. Limpie el agua con un paño suave. En caso de aceleración del proceso de descongelación, puede poner un tazón con agua tibia (sobre 50 °C) en el compartimiento del congelador, y rascar el hielo y la escarcha con una espátula de deshielo. Después de hacerlo, asegúrese de colocar la perilla del regulador de temperatura en su posición original. No es recomendable calentar el

compartimiento del congelador directamente con agua caliente o secador de cabello durante la descongelación para evitar la deformación de la caja interior. Tampoco es recomendable rascar el hielo y la escarcha o separar los alimentos de los recipientes que han sido congelados junto con los alimentos con herramientas afiladas o barras de madera, para no dañar la carcasa interior.

- **¡Advertencia!** Debería subir la bandeja de descongelación antes de quitarla.
- **¡Advertencia!** Desconecte el electrodoméstico antes de descongelar, gire el regulador de temperatura a la posición "0".
- **¡Importante!** El refrigerador se debe descongelar por lo menos cada mes. Durante su uso, si la puerta era frecuentemente abierta o el electrodoméstico era utilizado en humedad extrema, le recomendamos que descongele cada dos semanas.

## Inversión de la puerta

Si el lugar de instalación lo requiere, se puede cambiar el lado en el que se abre la puerta, del lado derecho (tal como se suministra) al lado izquierdo.

Herramientas que necesitará:

1. Destornillador de estría de 8mm.



2. Destornillador de cruz.



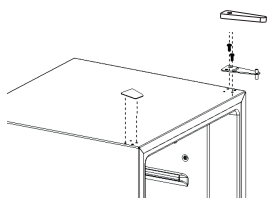
3. Espátula o destornillador de punta fina.



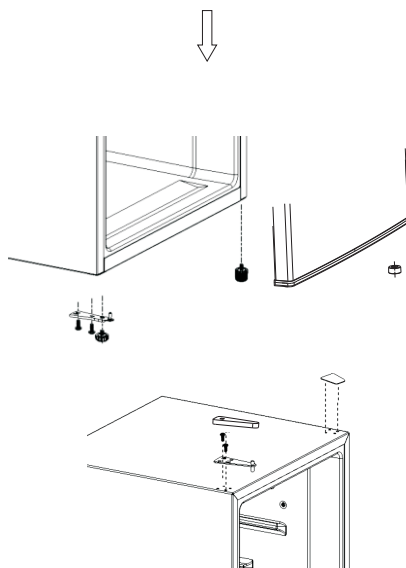
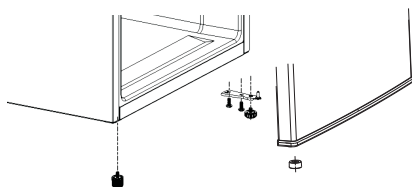
Antes de comenzar, coloque el refrigerador dado vuelta para ganar acceso a la base; debería recostarlo en el embalaje de espuma suave o en un

material similar para evitar que se dañe la tubería de refrigeración la parte posterior del refrigerador.

1. Quite la bisagra superior, transfírala al lado izquierdo y ajústela de manera segura. Luego, colóquela en un lugar seguro.



2. Quite ambas patas ajustable de la bisagra superior y la almohadilla de apoyo de goma desatornillando los pernos. Luego, ajústelas como se muestra en la siguientes imágenes.



3. Reemplace la tapa al colocar el centro de la bisagra superior en el orificio de la puerta superior asegurándola con 2 tornillos. Reemplace los cobertores del tornillo.

### ¡Advertencia!

No se debe conectar el electrodoméstico a la red eléctrica cuando se cambia el lado en el que la puerta se abre. Primero, quite el enchufe de la red eléctrica.

## Solución de problemas

Si tiene algún problema con el electrodoméstico o le preocupa que el electrodoméstico no esté funcionando correctamente, puede realizar algunas verificaciones fáciles antes de llamar al servicio. Vea lo siguiente. Puede realizar algunas verificaciones simples en esta sección antes de llamar al servicio.

**¡Advertencia!** No trate de reparar el electrodoméstico usted mismo. Si el problema persiste después de realizar la verificaciones mencionadas, contacte a un electricista calificado, a un ingeniero de servicio o a la tienda donde compró el producto.

Problema	Posible causa	Solución
El electrodoméstico no funciona.	El electrodoméstico no está encendido.	Encienda el electrodoméstico.
	El enchufe principal no está enchufado o está flojo.	Inserte el enchufe.
	El fusible se fundió o está defectuoso.	Verifique el fusible, reemplácelo si es necesario.
	El toma está defectuoso.	El mal funcionamiento del toma tiene que ser reparado por un electricista.
Los alimentos están muy cálidos.	La temperatura no está establecida correctamente.	Vea la sección de "Arranque inicial".
	La puerta se abrió por un período extenso.	Abra la puerta sólo cuando sea necesario.
	Una gran cantidad de alimentos tibios se colocaron en el electrodoméstico dentro de las últimas 24 horas.	Gire temporalmente el regulador de temperatura a una configuración más fría.
	El electrodoméstico está cerca de fuentes de calor.	Vea la sección de "Lugar de instalación".
Grandes formaciones de escarcha, también en el sello de la puerta.	El sello de la puerta no está hermético (posiblemente después de invertir la puerta).	Caliente cuidadosamente las secciones con fugas en el sello de la puerta con un secador de pelo (en una configuración fría). Al mismo tiempo, brinde forma con la mano al sello de la puerta mientras esté cálido para que quede correctamente.
Sonidos inusuales.	El electrodoméstico no está nivelado.	Reajuste las patas.
	El electrodoméstico toca la pared u otros objetos.	Mueva ligeramente el electrodoméstico.
	Un componente, por ejemplo la tubería, en la parte posterior del electrodoméstico está tocando otra parte del electrodoméstico o la pared.	Si es necesario, doble cuidadosamente el componente.
El compresor no comienza inmediatamente después de cambiar la configuración de temperatura.	Esto es normal, no ocurrió ningún error.	El compresor arranca después de un período de tiempo.
Agua en el suelo o en los estantes de almacenamiento.	Compruebe que la bandeja de goteo sea instalada correctamente. La bandeja de goteo está llena de agua.	Vea la sección de "Limpieza y cuidado".

## Eliminación del electrodoméstico

Está prohibido desechar el electrodoméstico como desperdicios domésticos.


### Materiales de empaque

Los materiales de empaque con el símbolo de reciclaje son reciclables. Deseche los materiales de empaque en un contenedor de desperdicio adecuado para ser reciclado.

### Antes de la eliminación del electrodoméstico

1. Retire el enchufe del toma corrientes.
2. Corte el cable de alimentación y descártelo con el enchufe principal.

**¡Advertencia!** Los refrigeradores contienen refrigerantes y gases en el aislante. El refrigerante y los gases deben ser eliminados por profesionales ya que pueden causar daños en la vista o incendios. Asegúrese de que la tubería del circuito refrigerante no esté dañada antes de realizar la eliminación.

	Eliminación correcta del producto
	<p>Este símbolo en el producto o en el empaque indica que no se puede tratar como residuos domésticos. Se debería llevar al punto de recolección de desechos adecuado para reciclar las partes eléctricas y el equipo electrónico. Si se asegura que este producto se deseche correctamente, ayudará a prevenir posibles consecuencias negativas para el ambiente y la salud humana que, de lo contrario, se podrían causar por el manejo inadecuado en la eliminación de este producto. Para más información sobre el reciclaje de este producto, contacte a su municipio local de servicio de recolección de residuos o a la tienda donde compró el producto.</p>

Información eléctrica.

Refrigerador (Frigobar)

Marca: Hisense

Especificaciones eléctricas:

115 Vca / 60Hz 0.8 A

Refrigerante: R600a

Agente Espumante: Cliclopentano

### Importador:

**Hisense México S. de R.L. de C.V.**

Blvd. Miguel de Cervantes Saavedra,

No. 301 Torre Norte, Piso 2,

Col. Ampliación Granada,

Municipio o Demarcación Territorial Miguel Hidalgo,

C.P. 11520, Ciudad de México,

R.F.C. HME110512IY3

***Hisense Refrigerator***

**Hisense**

life reimagined